

Thermometers THK 45

Part no. 67522105

Thermometers with capillary tube

benefits

- ideal for boilers and water heaters
- corrosion-resistant, highly impact-resistant plastic housing
- many customised versions available

Application

Heating and plumbing, e.g. boilers, water heaters, hot water storage tanks

Technical Specifications

Nominal size

45 mm45 mm

Range

0/120 °C

Measuring principle

Liquid filling

Operating temperature range

Medium: Full scale value

Ambient: max. 70 °C

Operating pressure

without pressure

Degree of protection

IP 32 (EN 60529)

Connection

Probe: Ø 6 x 30 mm, Copper

Capillary tube: Copper with PVC coating (R3, grey)

Dial

Plastic, black

Scaling: white

Pointer

Plastic, white

Housing

Plastic (ABS), black

window

Plastic, clipped in

Bezel

THK 45

capillary length

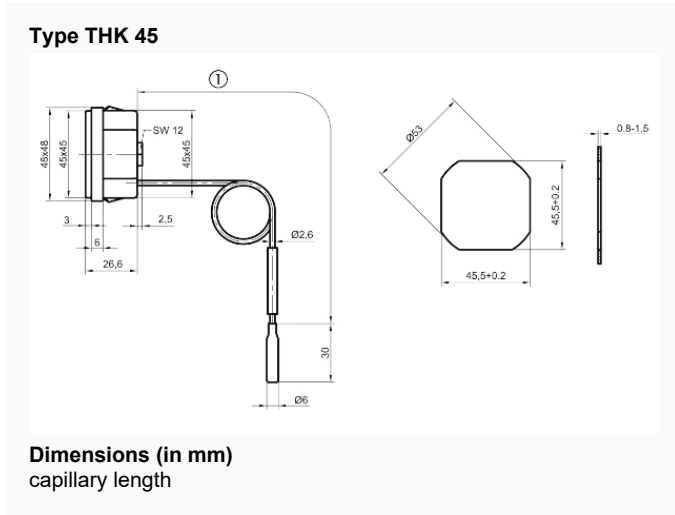
500 mm

Options

- Dial with customer logo
- various capillary lengths

- special colours for housing, dial, pointer

Technical Drawings



Versions

Nomi- nal size	Nomi- nal size	Hou- sing	push on bezel	Pointer	Dial	Scale	Range	capil- lary length	Type	Part no.
	45 x 45 mm	black		white	black	white	0/120 °C	500 mm	THK 45	● 67522105

- in-stock items
- Non-stock items