



## Piston type diaphragm seal KD 21

**Part no. 31427W**

**Piston type diaphragm seal**

### benefits

- piston instead of diaphragm: For extremely rough conditions with abrasive media
- for pressures from 10 bar to 600 bar
- robust and reliable pressure measurement
- shock- and vibration-resistant

### Application

For mounting to Bourdon tube pressure gauges, pressure transducers or pressure switches. For corrosive, polluted and abrasive suspensions at high pressures. Specially for pressure measurements in waste water, drilling water, sludge, concrete, plaster and minerals.

### Technical Specifications

#### Process connection

Stainless steel 316 L

#### Seal

FKM (Viton)

#### pressure connection

Stainless steel 316 L  
flush

#### Instrument connection

Welded connection

#### pressure transmission liquid

Paraffin oil (FM 09), FDA-listed

#### pressure range

see ordering table

#### Nominal pressure

PN 600

#### Accuracy

with pressure gauge Cl. 2.5  
with pressure transducer 1.0 % FSO

#### Can be mounted to

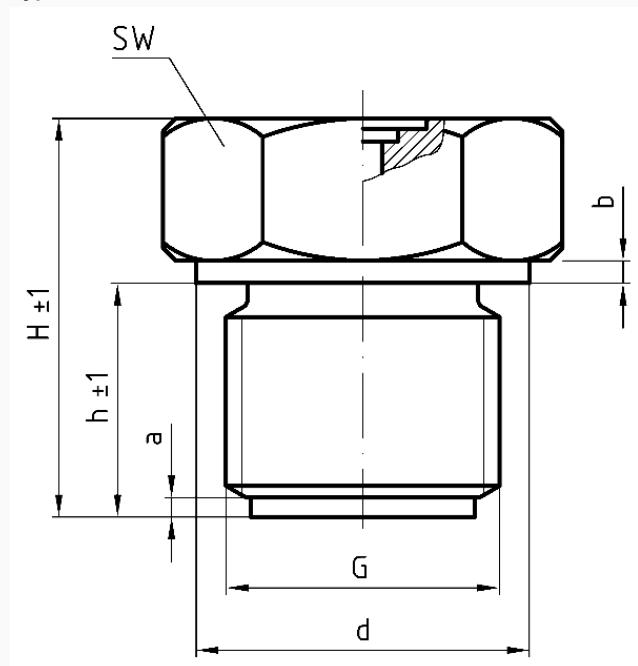
- Bourdon tube pressure gauges NG 50, 63, 80, 100, 160 and RF 130 PG
- Pressure transducers (DMU)
- Pressure switches (DS)

### Options

- Adapter for instrument connection G $\frac{1}{4}$ /G $\frac{1}{2}$
- Capillary tube
- flange connections EN, ASME, JIS
- other process connections
- other materials
- other filling liquids, except for Neobee M20 (FM 10)
- other measuring ranges


**Technical Drawings**

**Type KD 21**




G	d	h	H	a	b	SW
G½B	26	17	33,5	3	3	27
G¾B	32	19	34	3	3	32
G1B	39	21	36	3	3	41
G1½B	55	25	48	3	3	55
G2B	68	27	56	3	3	70
½-14 NPT	-	20	33,5	-	-	27
¾-14 NPT	-	-	-	-	-	-
1-11½ NPT	-	24	36	-	-	41
1½-11½ NPT	-	25	45	-	-	55
2-11½ NPT	-	26	50	-	-	70

## Versions

Process connection	standard	Instrument connection	Nominal pressure	minimum range* (in bar) at nominal size					Part no.
				63	100	160	DMU	DMU 13 Vario	
1-1½ NPT		Welded connection	PN 600	10 bar	16 bar	16 bar	10 bar		31427W

 in-stock items

 Non-stock items