

Pressure transducers DeltaFox DMU 10 D

Part no. 31871

Pressure transducers DeltaFox DMU 10 D Version for differential pressure measurement

benefits

- compact design
- robust aluminium housing
- high long-term stability
- high overpressure safety
- long service life

Application

For electronic differential pressure measurement at very low differential pressure. For non-corrosive gaseous media. Particularly suitable for monitoring filters and fans in air and air conditioning applications.

Technical Specifications

Measuring accuracy

Deviation from the characteristic curve according to IEC 60770 – limit point calibration (non-linearity, hysteresis, repeatability)

> 0/160 mbar

≤ ± 0.35 % FSO

Measuring range

0/1 bar

Overpressure safety

> 0/400 mbar

3,000 mbar

Operating temperature range

Medium: -25/+125 °C

Ambient: -25/+85 °C

Storage: -40/+100 °C

Temperature error band

> 0/250 mbar

≤ ± 0.5 % FSO In compensated range 0/60 °C

dynamic characteristics

Response time: < 5 ms

Process connection

2 x G $\frac{1}{8}$ B female

material

Housing: aluminium, eloxed, silver

pressure connection: Aluminium

Seal: PUR glued

Supply voltage

DC 8 – 32 V

Output signal

2-wire, 4–20 mA

Load

$R_{\max} = [(UB - UB_{\min})/0.02 \text{ A}] \Omega$

Current input

< 25 mA

electrical protection

short circuit proof and protected against reverse polarity

Electrical connection

Connector and junction box as per ISO 4400 (DIN 43650-A)

Degree of protection

IP 65 (EN 60529)

CE conformity

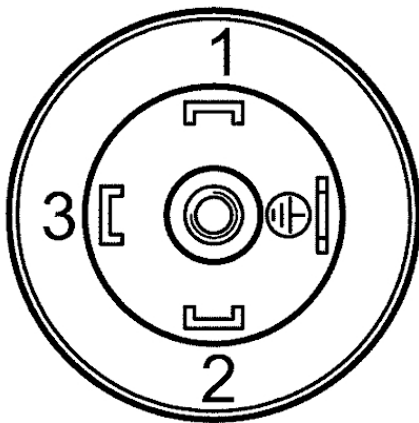
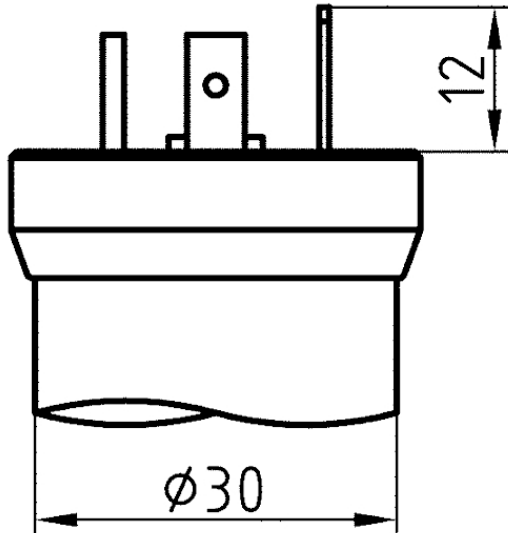
EMC Directive 2014/30/EU
RoHS Directive 2011/65/EU

Options

- other process connections
- other electrical connections
- Digital plug-in display DA 06

Technical Drawings

electrical connection - ISO 4400 (IP 65)



Dimensions (mm)

Versions

Range	Measuring range	Type	Version	Part no.
	0/1 bar	DeltaFox DMU 10 D	<input type="radio"/>	31871

- in-stock items
- Non-stock items