



## Pressure transducers HydroFox® DMU 08

**Part no. 31556**

**Pressure transducers**

### benefits

- compact and sturdy stainless steel design
- special calibration for all standard pressure units possible
- version with PUR or FEP cable
- high measuring accuracy at excellent price/performance ratio
- watertight up to 10 m water column - ideal for use in flood hazard areas
- Optional Ex version

### Application

For electronic, continuous level measurement, e.g. in wells, drilling holes, water, containers or in waste water systems. Suitable for groundwater, drinking water, waste water (with optional FEP cable), diesel fuel, fuel oil; also for use in flood hazard areas.

### Description

The level indicators HydroFox® DMU 08 use silicon technology and feature calibrated, amplified sensor signals which are available as standardised voltage or current outputs.

### Technical Specifications

#### Measuring accuracy

Deviation from the characteristic curve according to IEC 60770 – limit point calibration (non-linearity, hysteresis, repeatability)  
 $\leq 0/400 \text{ mbar} < \pm 0.5 \% \text{ FSO}$

#### Measuring range

0/160 mbar

#### Operating temperature range

Medium: -10/+70 °C  
 Ambient: -10/+70 °C  
 Storage: -25/+70 °C

#### Temperature error band

$\leq 400 \text{ mbar}$   
 $\leq \pm 1 \% \text{ FSO}/10 \text{ K}$  In compensated range 0/70 °C

#### dynamic characteristics

Response time:  $\leq 10 \text{ ms}$

#### Probe

L x  $\varnothing$ : 117 x 24 mm  
 Weight: 620 g

#### material

Housing: Stainless steel 316 L  
 diaphragm: Stainless steel 316 L  
 seals: FKM (Viton)  
 cable: PUR

**pressure transmission liquid**  
Silicone oil

**Supply voltage**  
DC 12 – 36 V

**Output signal**  
4–20 mA, 2-wire

**Load**  
 $R_{\max} = [(UB - UB_{\min})/0.02 \text{ A}] \Omega$

**Current input**  
< 25 mA

**Options**

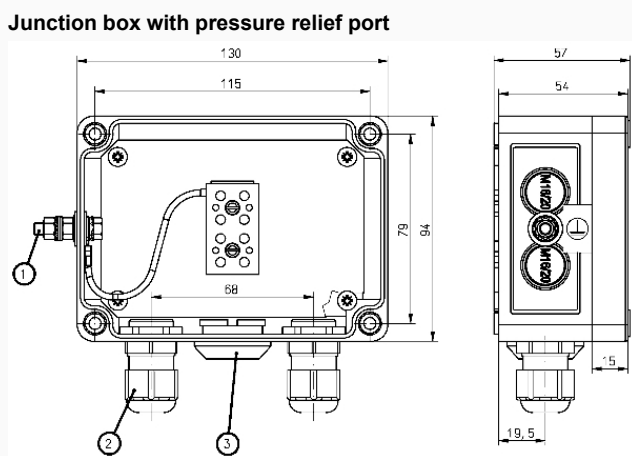
- Extended weight
- Measuring accuracy 0.1 % FSO
- FEP cable
- Ex version
- screw connector kit
- Junction box
- Anchor clamp

**electrical protection**  
short circuit proof and protected against reverse polarity

**Electrical connection**  
PUR cable with integrated breather tube for reference to the ambient atmospheric pressure  
Cable length: 5 m  
Degree of protection: IP 68 (EN 60529)

**CE conformity**  
EMC Directive 2014/30/EU  
RoHS Directive 2011/65/EU  
Pressure Equipment Directive 2014/68/EU

**Technical Drawings**



**Dimensions (mm)**  
Earth  
Cable gland PG 11  
Pressure compensation element

## Versions

		Measuring range	Overload		Part no.
HydroFox® DMU 08	with 5 m PUR cable	0/160 mbar	at least 6 x FS	<input checked="" type="radio"/>	31556

- in-stock items
- Non-stock items