



## Pressure transducers DMU 02 Vario programmable

**Part no. 32854**

**Pressure transducers**

### benefits

- connection technology with numerous versions
- extremely resistant to shock, pulsation and vibration
- best dynamic pressure resistance at high load changes
- measuring cell welded without seals
- without transmission medium
- Turn Down 1:4
- Zero calibration via magnet

### Application

For electronic pressure measurement in mechanical and plant engineering, and for gas and medical applications. Particularly suitable for pure media.

### Description

Pressure transducers convert physical pressure into an electrical signal proportional to the pressure. DMU 02 Vario is equipped with a piezo-resistive polysilicon thin-film measuring cell. All standard electrical connection types are available. The measuring ranges can be changed via optional parameterisation hardware and software. The zero point can be corrected from the outside via a permanent magnet after voltage has been supplied and within a given time window.

### Technical Specifications

#### Measuring accuracy

Deviation from the characteristic curve according to IEC 60770 – limit point calibration (non-linearity, hysteresis, repeatability)  
 $\leq \pm 0.3\% \text{ FSO}$

#### Measuring range

0/250 bar

#### Overpressure safety

$\leq 250 \text{ bar}$   
 at least 2 x FS

#### Burst pressure

$\leq 250 \text{ bar}$   
 at least 3 x FS

#### Operating temperature range

Medium:  $-40/+125 \text{ }^\circ\text{C}$   
 Ambient:  $-40/+105 \text{ }^\circ\text{C}$   
 Storage:  $-40/+125 \text{ }^\circ\text{C}$

#### Temperature error band

$\leq \pm 0.15\% \text{ FSO}/10 \text{ K}$  In compensated range  $-10/+80 \text{ }^\circ\text{C}$

#### dynamic characteristics

Response time:  $< 4 \text{ ms}$

**Process connection**

G½B EN 837-1/7.3

**material**

Housing: Stainless steel 304

pressure connection: stainless steel 630/316 Ti/316 L

electr. measuring cell: Stainless steel 630/304

**Supply voltage**

DC 10 – 32 V

**Output signal**

2-wire, 4–20 mA

**Load** $R_{\max} = [(UB - UB_{\min})/0.02 \text{ A}] \Omega$ **Current input**

&lt; 25 mA

**electrical protection**

short circuit proof and protected against reverse polarity

**Electrical connection**

Connector and junction box as per ISO 4400 (DIN 43650-A)

**Degree of protection**

IP 65 (EN 60529)

**CE conformity**

EMC Directive 2014/30/EU

RoHS Directive 2011/65/EU

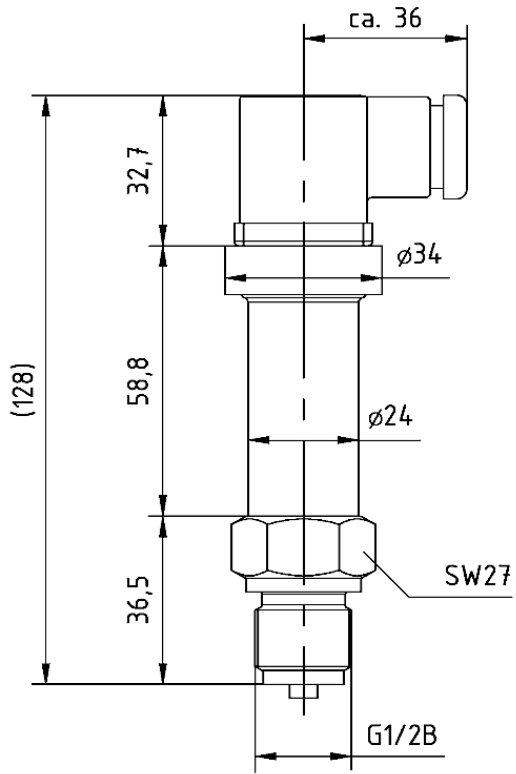
Pressure Equipment Directive 2014/68/EU

**Options**

- other process connections
- other electrical connections
- Field housing (stainless steel)
- cleaned for oxygen
- other output signals
- Fitting of chemical seal
- customer-specific setting (damping, unit)
- programmable hardware and software
- other operating temperature ranges

**Technical Drawings**

**DMU 02 Vario - connection G1/2B EN 837**



**Dimensions (mm)**

**Versions**

Range	Measuring range	Type	Version	Part no.
	0/250 bar	DMU 02 Vario	programmable	32854

- in-stock items
- Non-stock items