



## Bourdon tube pressure gauge RF100 rad

**Part no. 63616**

**Bourdon tube pressure gauge RF for heating/plumbing**

### benefits

- with self-sealing connection thread (NG 50 and 63) for fast mounting
- corrosion-resistant housing

### Application

For gaseous and liquid media which are not highly viscous, do not crystallise and do not attack copper alloys and EPDM.  
! For measuring gas or vapour, observe the table "Selection Criteria as per EN 837-2" (see appendix)!

### Technical Specifications

#### Nominal size

100

#### accuracy class (EN 837-1/6)

2.5

#### ranges

0/25 bar

#### application area

static load:  $\frac{3}{4}$  x full scale value  
dynamic load:  $\frac{2}{3}$  x full scale value  
short-term: Full scale value

#### Operating temperature range

Medium: max. 60 °C  
Ambient: -20/+60 °C

#### Temperature performance

Indication error when the temperature of the measuring system deviates from the normal temperature of 20 °C:  
at rising temperature approx.  $\pm 0.4$  %/10 K  
falling temperature approx.  $\pm 0.4$  %/10 K  
of full scale value

#### Degree of protection

IP 32 (EN 60529)

#### Connection

Brass, bottom  
NG 100  
G $\frac{1}{2}$ B

#### Measuring element

Bourdon tube, "C" type tube  
Copper alloy

#### movement

Brass

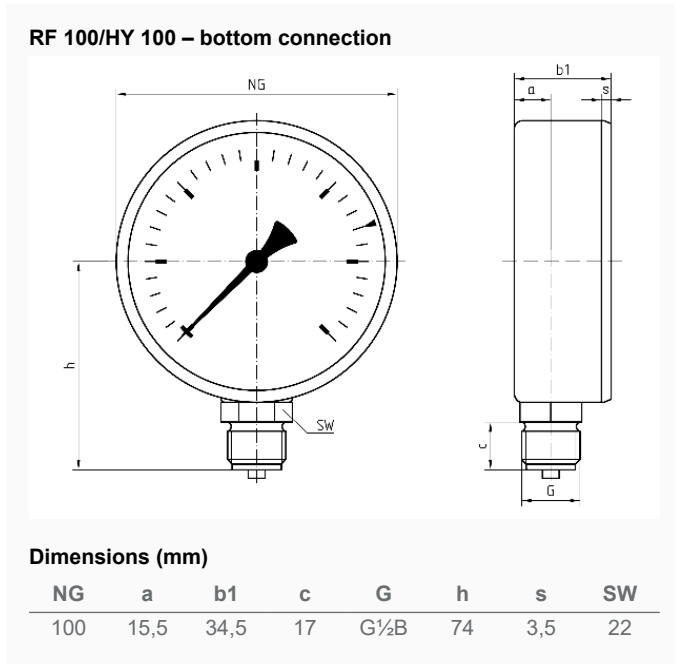
**Dial**  
Plastic, white  
Scaling: black

**Pointer**  
Plastic, black

**Housing**  
Plastic (ABS), black, highly impact-resistant and corrosion-resistant

**window**  
Plastic, clipped in  
NG 100  
with adjustable red reference pointer

**Technical Drawings**



**Versions**

	housing ø	Conne- tion	Conne- tion	Thread	alignment	Range	Type	Part no.
RF100	100 mm	G½B			bottom	0/25 bar	RF100 rad	63616

- in-stock items
- Non-stock items