



## Hydrometers HY 100

Part no. 63281

Hydrometers HY for heating/plumbing

### Technical Specifications

**Nominal size**

100

**accuracy class (EN 837-1/6)**

2.5

**ranges**

0/0.6 bar

**application area**

static load:  $\frac{3}{4}$  x full scale value  
dynamic load:  $\frac{2}{3}$  x full scale value  
short-term: Full scale value

**Operating temperature range**

Medium: max. 60 °C  
Ambient: -20/+60 °C

**Temperature performance**

Indication error when the temperature of the measuring system deviates from the normal temperature of 20 °C:  
at rising temperature approx.  $\pm 0.4 \%$ /10 K  
falling temperature approx.  $\pm 0.4 \%$ /10 K  
of full scale value

**Degree of protection**

IP 32 (EN 60529)

**Connection**

Brass, bottom  
NG 100  
G $\frac{1}{2}$ B

**Measuring element**

Bourdon tube, "C" type tube  
Copper alloy

**movement**

Brass

**Dial**

Plastic, white  
dual scale bar outer - mWC inner  
Scaling: black

**Pointer**

Plastic, black

**Housing**

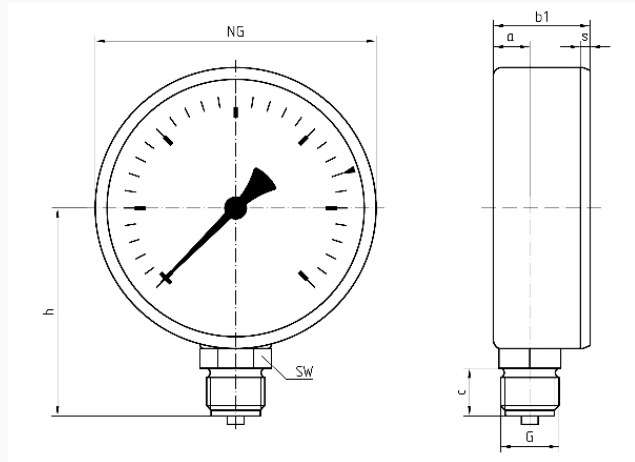
Plastic (ABS), black, highly impact-resistant and corrosion-resistant

**window**

Plastic, clipped in  
with adjustable red reference pointer

**Technical Drawings**

**RF 100/HY 100 – bottom connection**



**Dimensions (mm)**

NG	a	b1	c	G	h	s	SW
100	15,5	34,5	17	G½B	74	3,5	22

**Versions**

	housing ø	Connec- tion	Connec- tion	Thread	alignment	Range	Type	Part no.
HY 100	100 mm	G½B			bottom	0/0.6 bar	HY 100	● 63281

- in-stock items
- Non-stock items