

Bourdon tube safety pressure gauges RF63Si

Part no. 85424412

Bourdon tube safety pressure gauges Type D4

benefits

- Safety housing S3 as per EN 837-1/9.7.2
- measuring system fully welded to housing
- tightness-tested with helium
- DNV- and GOSSTANDART-certified
- Ex version (optional)

Application

For corrosive gaseous and liquid media which are not highly viscous and do not crystallise; suitable for corrosive environments. This gauge is designed for applications as per EN 837-1/9.7.2.

Technical Specifications

Type

D4

Nominal size

63

accuracy class

EN 837-1/6

NG 63, ≥ 600 bar

2.5

ranges (EN 837-1/5)

see ordering table

Operating temperature range

Medium: max. 100 °C

Ambient: -20/+60 °C

Degree of protection

IP 54 (EN 60529)

Connection

Stainless steel 316 L, bottom back

Measuring element

Bourdon tube

stainless steel 316 Ti/316 L

≤ 60 bar: "C" type tube

> 60 bar: helical tube

tightness-tested with helium

movement

Stainless steel

Dial

Aluminium, white

Scaling: black

Pointer

Aluminium, black

Housing

Stainless steel 304, with solid baffle wall and blow-out (S3)

bayonet bezel
Stainless steel 304

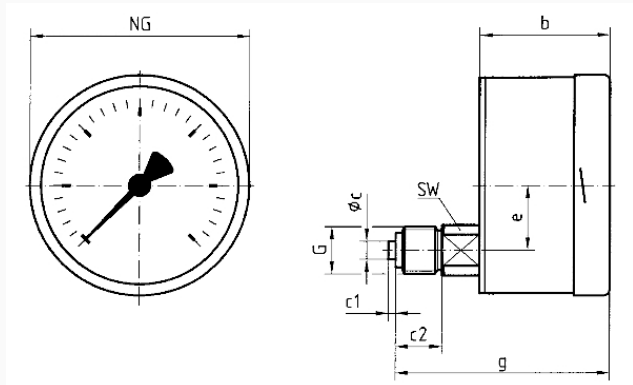
window
Laminated safety glass

Options

- Glycerine filling (bottom version type D8)
- 3-hole fixing, panel mounting bezel
- Ex version
- special scales
- other process connections

Technical Drawings

NG 63 – bottom back connection



Dimensions (mm)

NG	b	∅c	c1	c2	e	G	g	SW
63	41	5	2	13	18	G¼B	60	14

Versions

Range	Mounting type	Type	Part number
0/600 bar	direct	RF63Si D412	85424412

- in-stock items
- Non-stock items