

## combined thermometer/pressure gauge THMK 52

Part no. 67635115

combined thermometer/pressure gauge THMK With capillary tube

### benefits

- ideal for boilers and hot water storage tanks
- corrosion-resistant, highly impact-resistant plastic housing
- many customised versions available

### Application

Heating, cooling and plumbing, e.g. boilers, buffer tanks.

### Technical Specifications

#### Nominal size

52

#### Range

pressure: 0/4 bar

temperature: 0/120 °C

#### Accuracy/test point

pressure: 4.0

temperature: 50 °C = ± 3 °C

#### Measuring principle

pressure: Bourdon tube, Copper alloy

temperature: Liquid filling

#### application area

static load:  $\frac{3}{4}$  x full scale value

dynamic load:  $\frac{2}{3}$  x full scale value

short-term: Full scale value

temperature: Full scale value

#### Operating temperature range

Medium: Full scale value

Ambient: max. 70 °C

#### Operating pressure

without pressure

### Options

- Dial with customer logo
- various capillary lengths

#### Degree of protection

IP 32 (EN 60529)

#### Connection

pressure: G $\frac{1}{4}$ B, Brass

temperature: Ø 6 x 30 mm, Copper

Capillary tube: Copper with PVC coating (R3, grey)

#### Dial

Plastic, black

Scaling: white

#### Pointer

Plastic, white

#### Housing

Plastic (ABS), grey

#### window

Plastic with reference pointer

#### Bezel

push on bezel

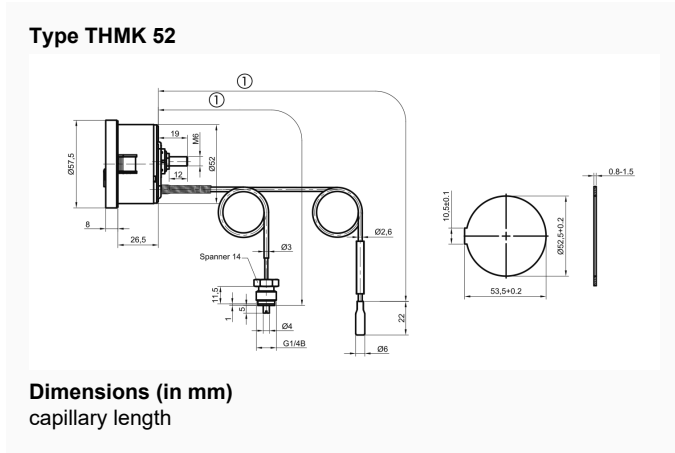
Plastic (ABS), black

#### capillary length

1000 mm

- special colours for housing, dial, pointer

**Technical Drawings**



**Versions**

Type	hou- sing ø	Hou- sing	push on be- zel	Pointer	Dial	Scale	Range	tempe- rature	pres- sure	capil- lary length	Type	Part no.
THMK 52	52 mm			white	black	white	0/120 °C	0/4 bar	1000 mm	THMK 52	●	67635115

- in-stock items
- Non-stock items