

## Thermometers THK 45

Part no. 67522125

Thermometers with capillary tube

### benefits

- ideal for boilers and water heaters
- corrosion-resistant, highly impact-resistant plastic housing
- many customised versions available

### Application

Heating and plumbing, e.g. boilers, water heaters, hot water storage tanks

### Technical Specifications

#### Nominal size

45 mm45 mm

#### Range

0/120 °C

#### Measuring principle

Liquid filling

#### Operating temperature range

Medium: Full scale value

Ambient: max. 70 °C

#### Operating pressure

without pressure

#### Degree of protection

IP 32 (EN 60529)

#### Connection

Probe:  $\varnothing$  6 x 30 mm, Copper

Capillary tube: Copper with PVC coating (R3, grey)

#### Dial

Plastic, black

Scaling: white

#### Pointer

Plastic, white

#### Housing

Plastic (ABS), black

#### window

Plastic, clipped in

#### Bezel

THK 45

#### capillary length

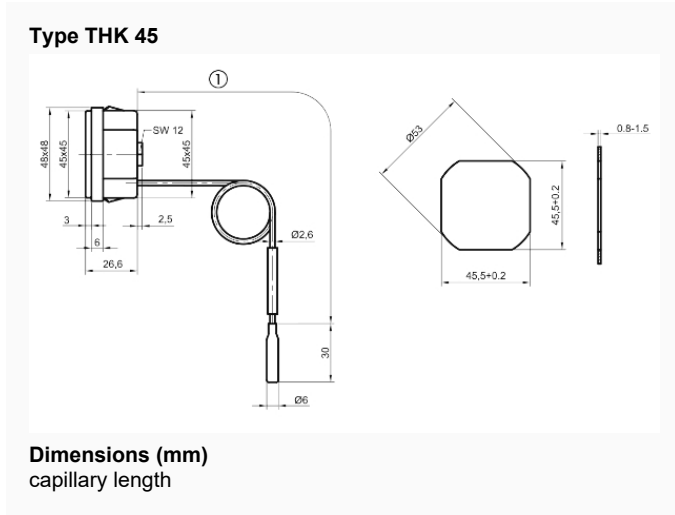
1500 mm

### Options

- Dial with customer logo
- various capillary lengths

- special colours for housing, dial, pointer

## Technical Drawings



## Versions

Nomi- nal size	Nomi- nal size	Hou- sing	push on bezel	Pointer	Dial	Scale	Range	capil- lary length	Type	Part no.
	45 x 45 mm	black		white	black	white	0/120 °C	1500 mm	THK 45	● 67522125

- in-stock items
- Non-stock items