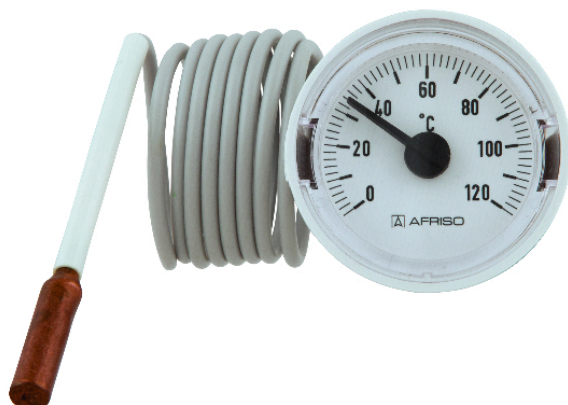


## Thermometers THK 40

Part no. 67652115

Thermometers with capillary tube



### benefits

- ideal for boilers and water heaters
- corrosion-resistant, highly impact-resistant plastic housing
- many customised versions available

### Application

Heating and plumbing, e.g. boilers, water heaters, hot water storage tanks

### Technical Specifications

#### Nominal size

40

#### Range

0/120 °C

#### Measuring principle

Liquid filling

#### Operating temperature range

Medium: Full scale value

Ambient: max. 70 °C

#### Operating pressure

without pressure

#### Degree of protection

IP 32 (EN 60529)

### Options

- Dial with customer logo
- various capillary lengths
- special colours for housing, dial, pointer

#### Connection

Probe: Ø 6 x 30 mm, Copper

Capillary tube: Copper with PVC coating (R3, grey)

#### Dial

Plastic, white

Scaling: black

#### Pointer

Plastic, black

#### Housing

Plastic (ABS), white

#### Bezel

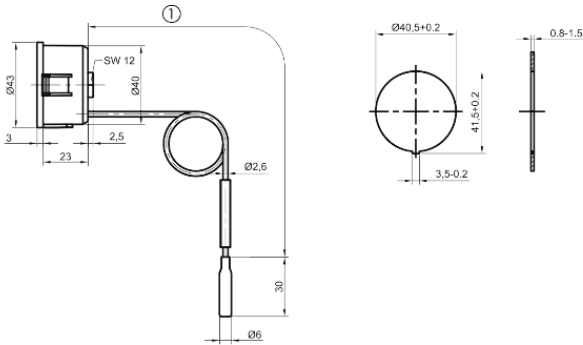
THK 40

#### capillary length

1000 mm

**Technical Drawings**

**Type THK 40**



**Dimensions (mm)**  
capillary length

**Versions**

Nomi- nal size	Nomi- nal size	Hou- sing	push on bezel	Pointer	Dial	Scale	Range	capil- lary length	Type	Part no.
40 mm		white		black	white	black	0/120 °C	1000 mm	THK 40	● 67652115

- in-stock items
- Non-stock items